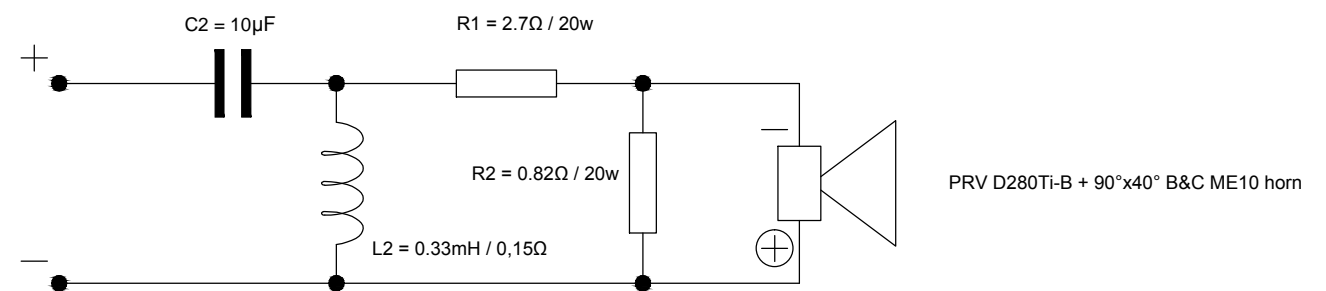
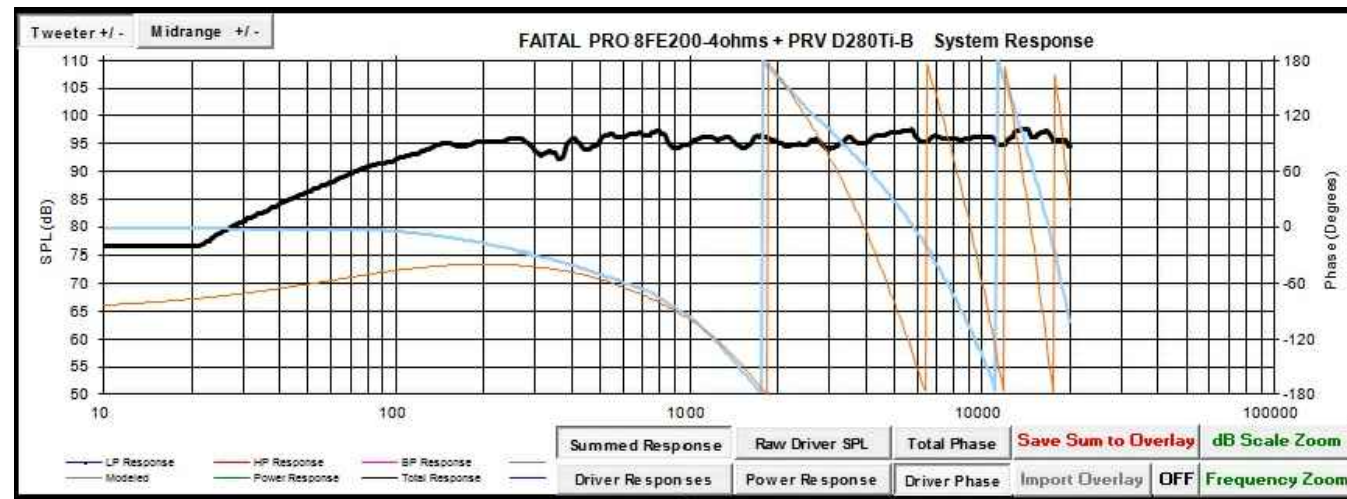
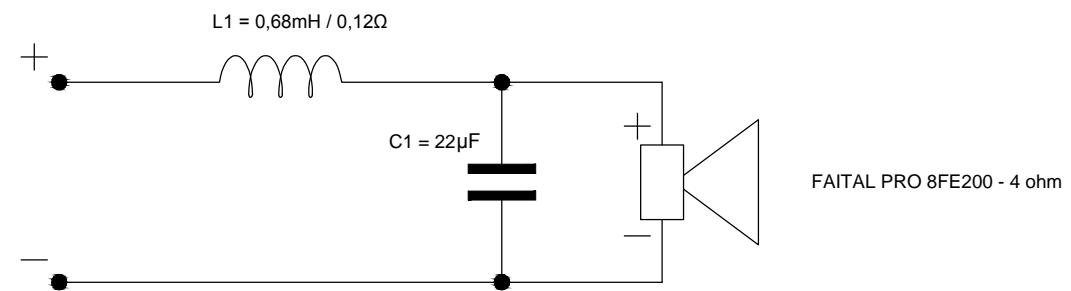
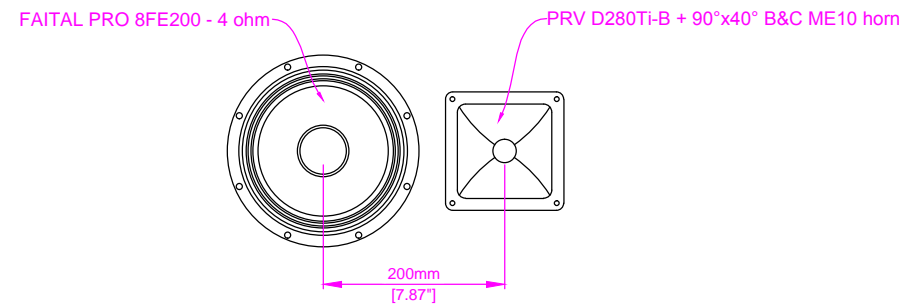
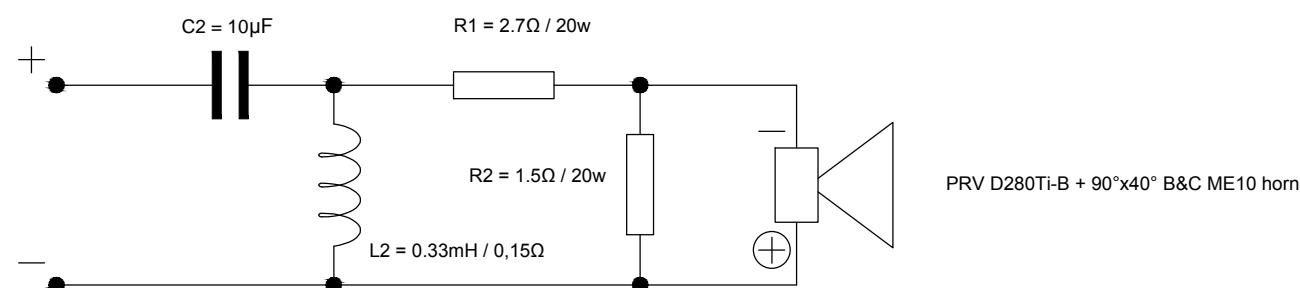
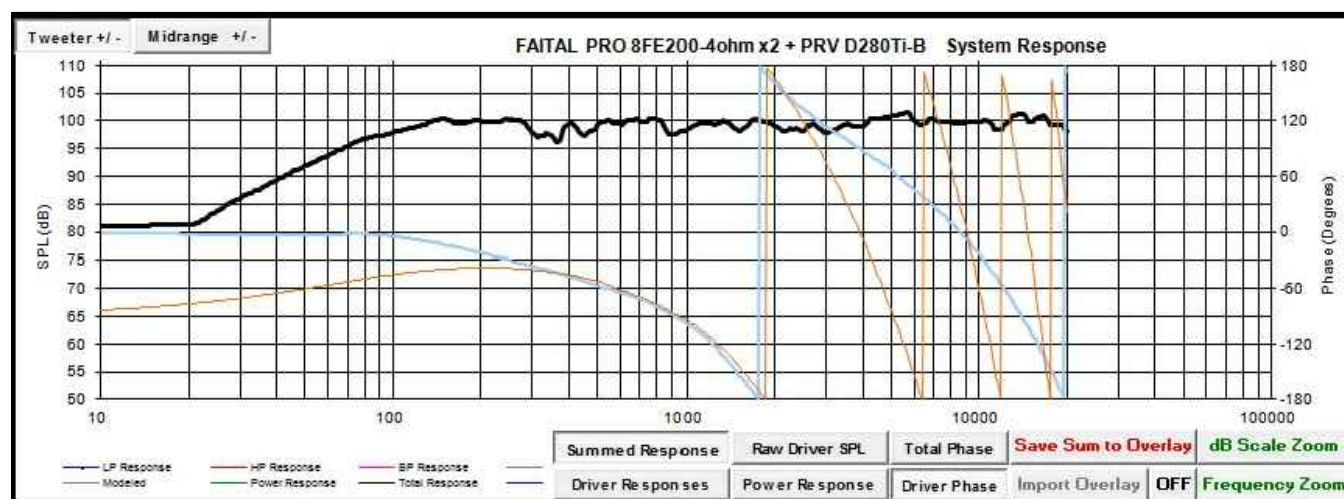
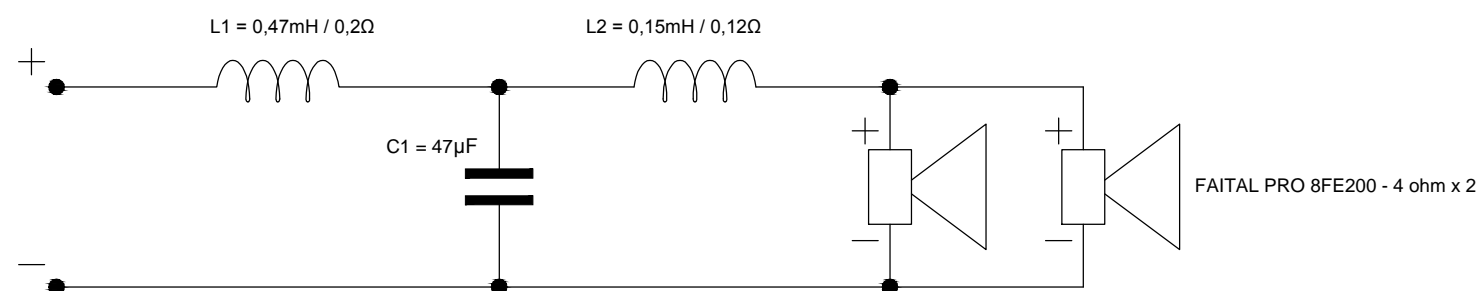
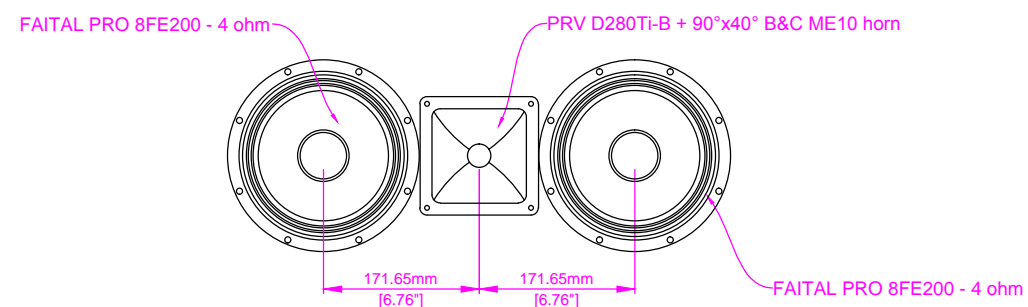


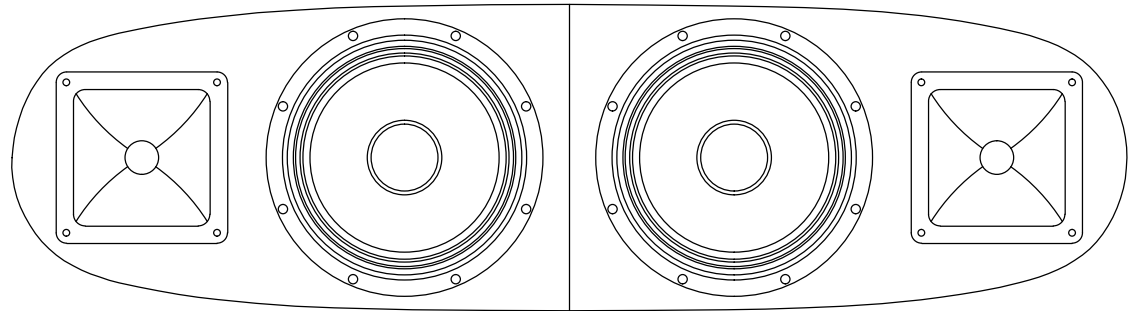
# SYSTEM 9 - 96dB/1w/1m - 130Wrms/260Wmax @ 4 ohm - 60Hz/20KHz ~ \$210/pair



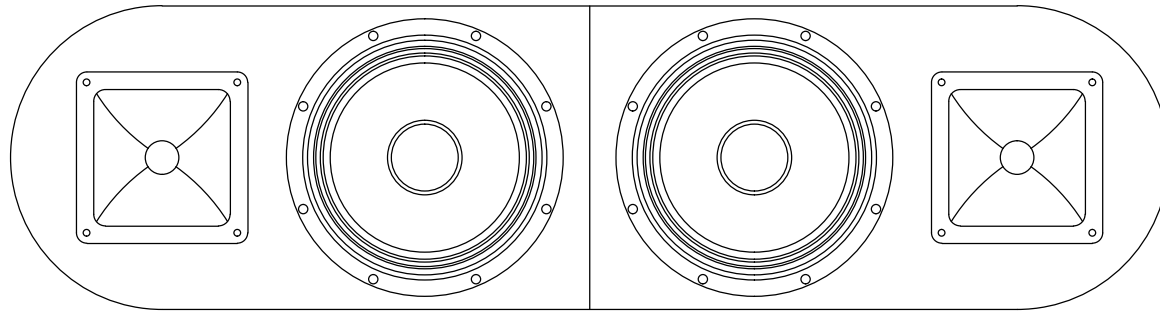
# SYSTEM 10 - 99dB/1w/1m - 260Wrms/520Wmax @ 2 ohm - 60Hz/20KHz ~ \$260/pair



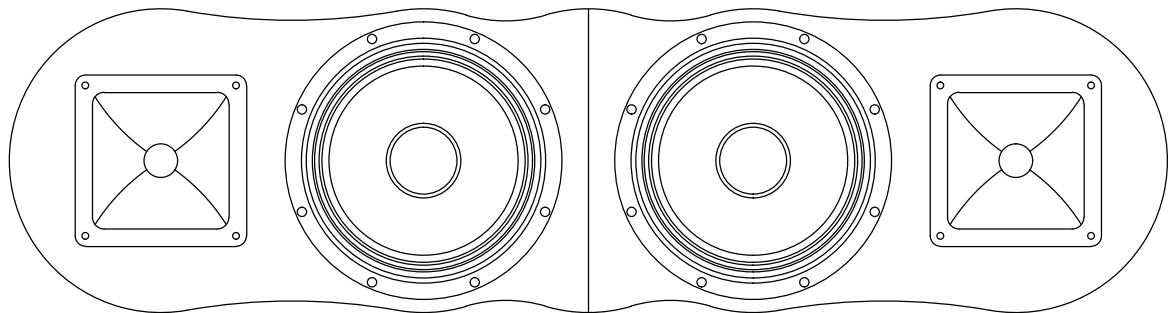
1-



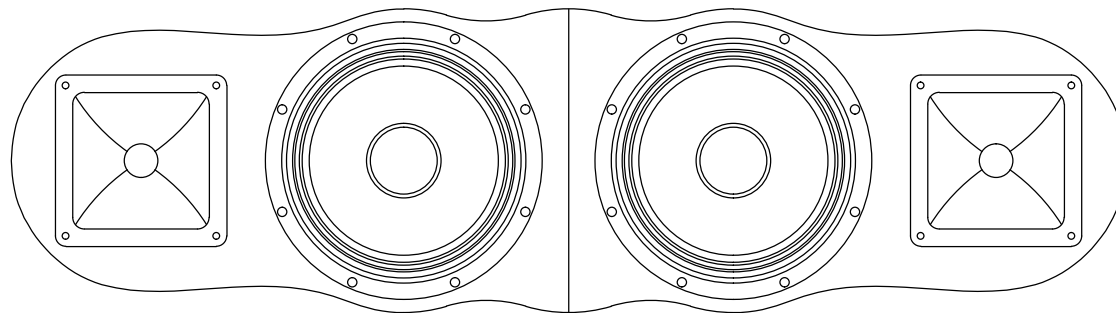
5-



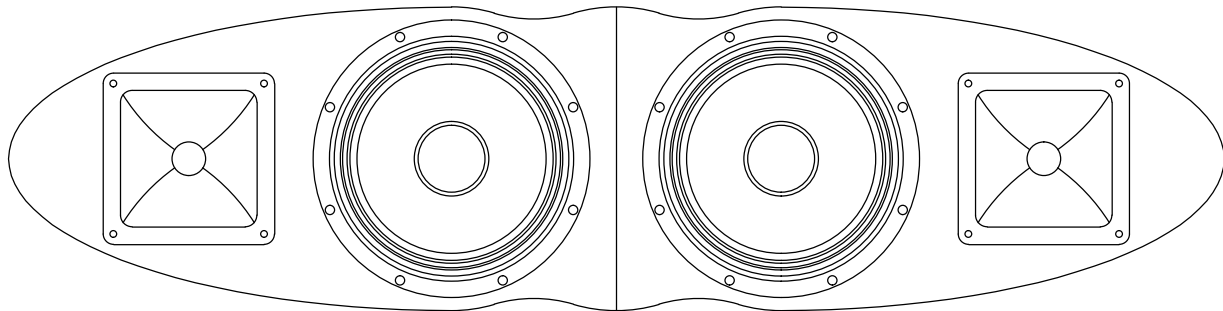
2-



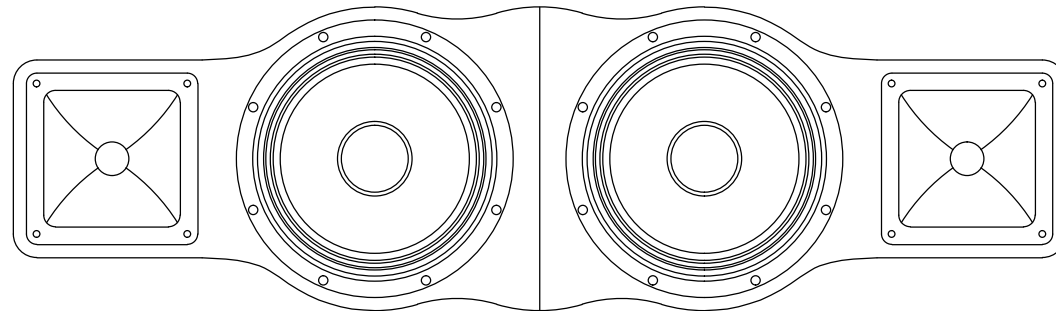
6-



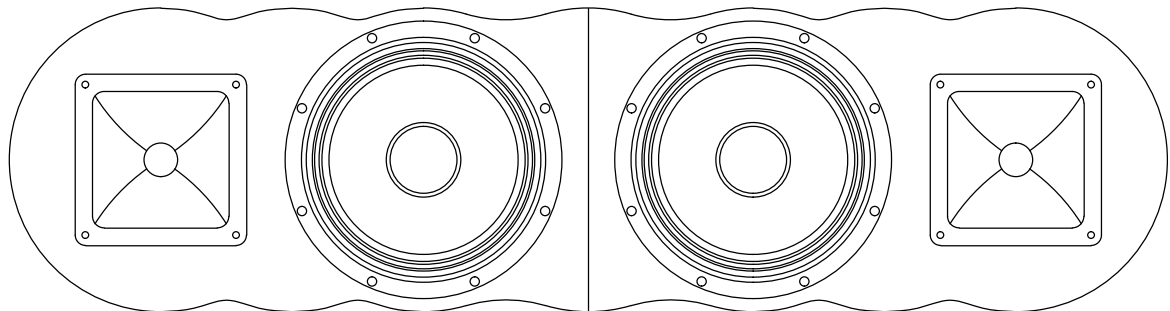
3-



7-



4-



8-

